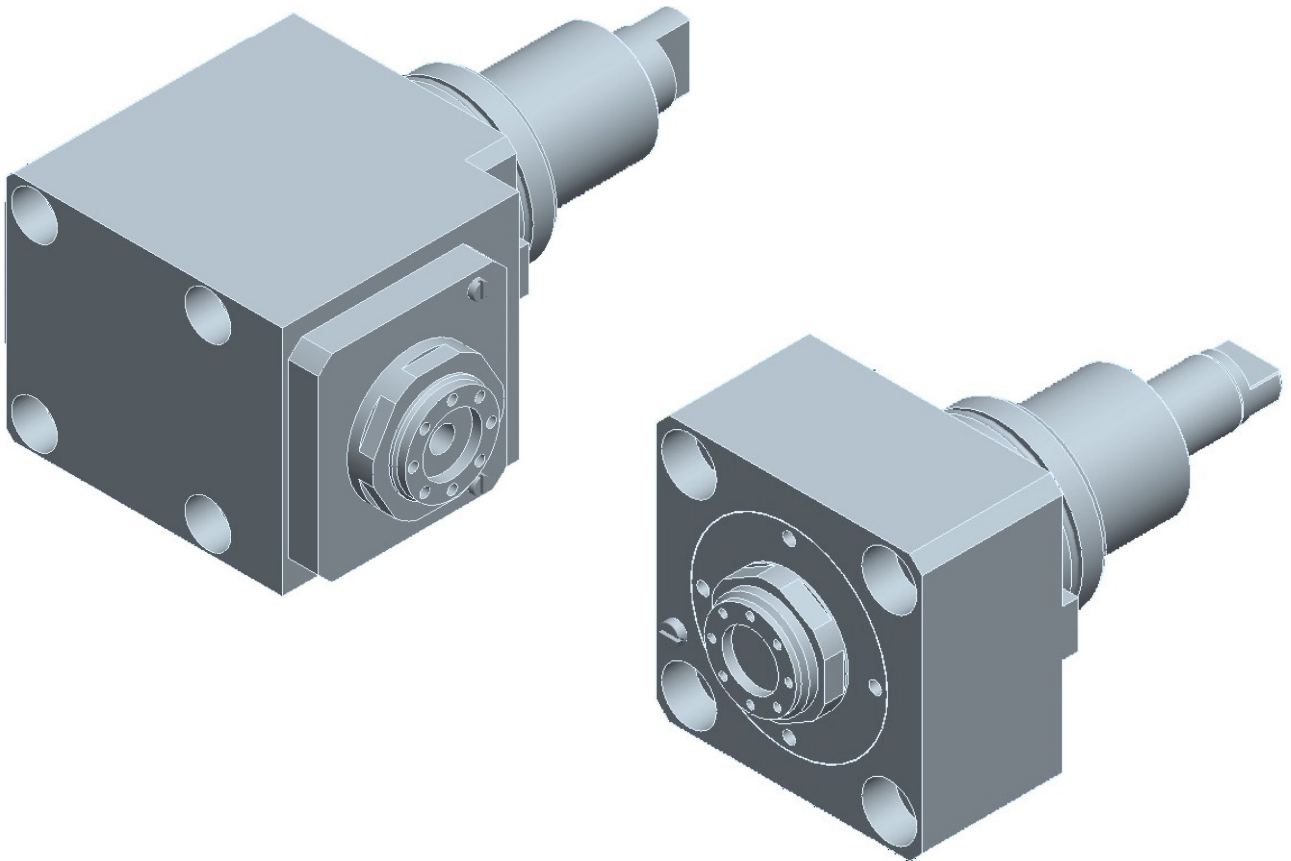




DUPLOMATIC
AUTOMATION

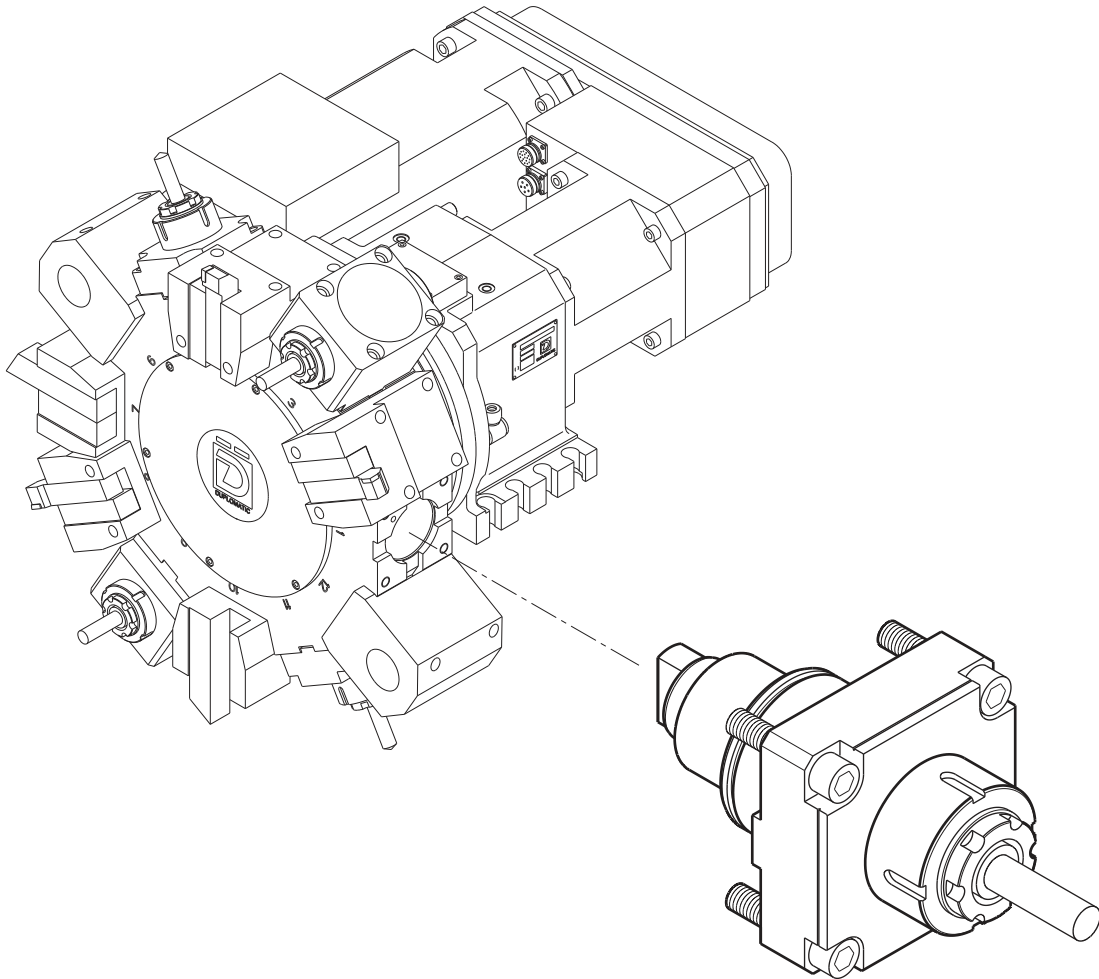


BMT / 50 SERIES

ROTATING TOOLHOLDERS

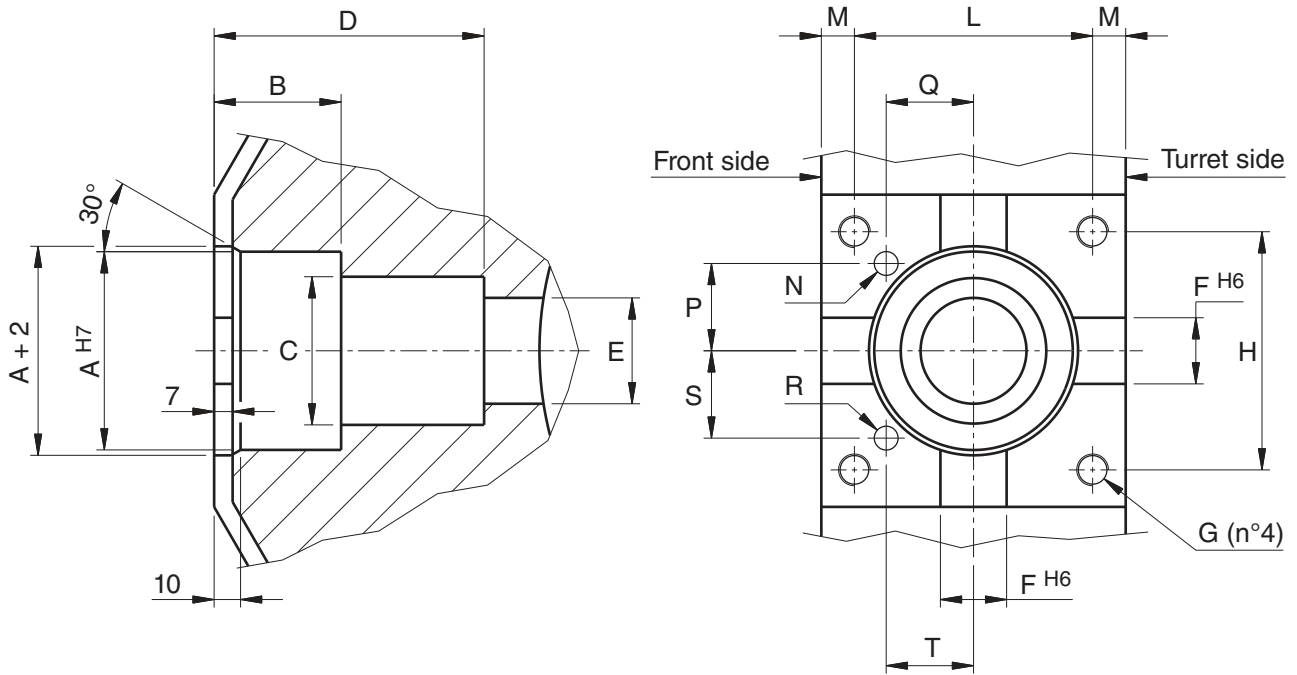
DT 144

Diplomatic can offer a full range of **new rotating toolholders** according to the **BMT system** now incoming very popular, to be used on its new **DM-TR** or **SM-BR** radial driven tool turrets.



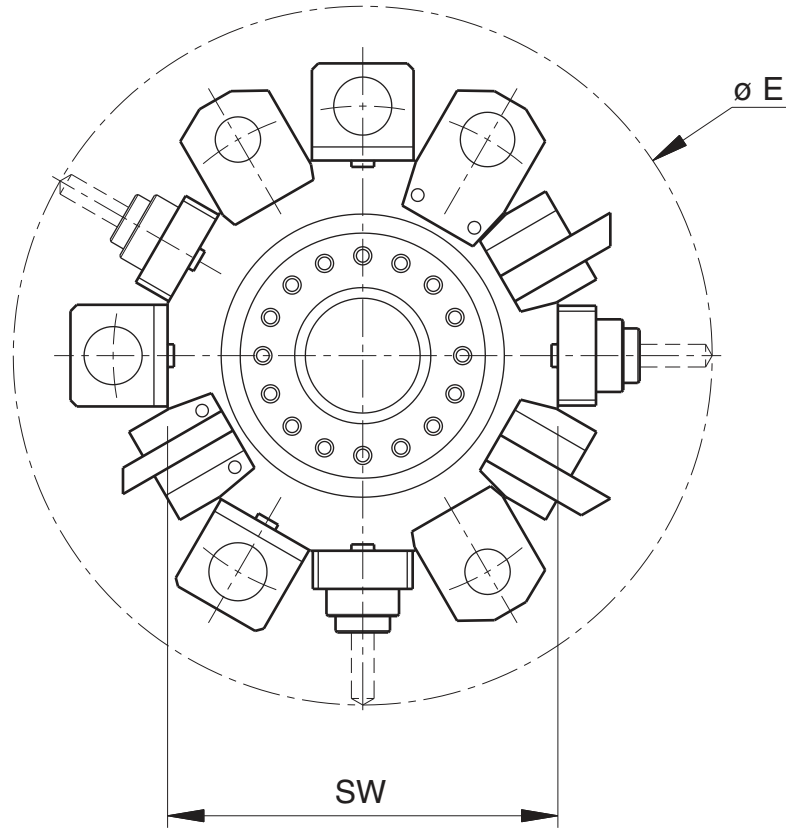
- Full size range from 55 to 75
- 4 bolts fitting system to maximize cutting rigidity.
- 2 keys and centering diameter reference system to reach the best positioning and repeatability accuracy.
- Oversized tenon coupling to grant high torque and power transmission.
- High precision preloaded spindle bearings.
- Internal clamping nut for higher stiffness (minimized tool / bearings distance).

BMT SEATS ON THE DISCS



BMT size	A	B	C	D	E	F	G	H	L	M	N	P	Q	R	S	T
55	55	35	41	77	31	15	M10x20	64	64	18	—	—	—	8	14	32
65	65	45	46	102	31	18	M12x24	73	70	20	—	—	—	9	17	37
75	75	48	56	102	40	25	M12x24	90	90	12,5	9	33	33	—	—	—

SIZES AND TOOLING LAY-OUT

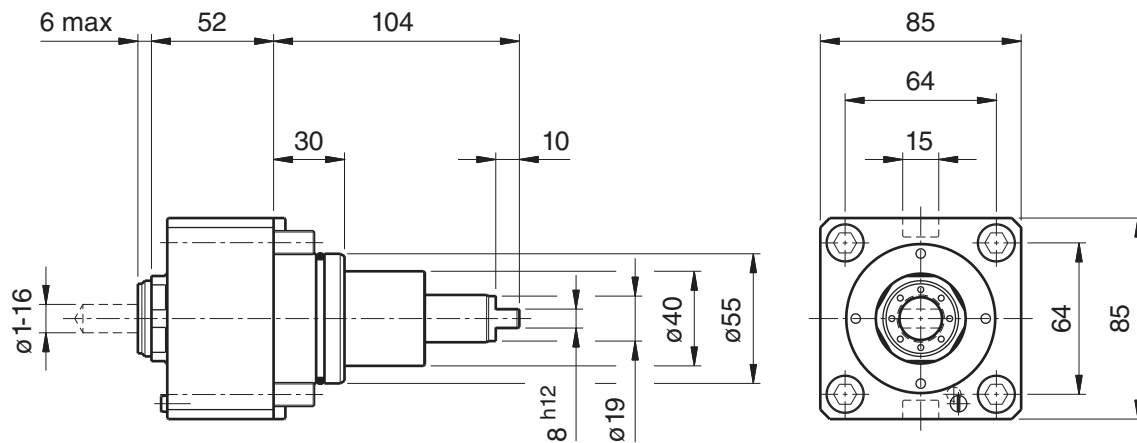


BMT size		55	65	75	
Disc size	SW min.	330	380	430	
Indicative tool swing	øE	580	625	715	

Matching DM / SM-BR turret size	12	16	20	25	32
---------------------------------	-----------	-----------	-----------	-----------	-----------

Comparison with DIN 69880 tool size	20	25/30	40	50	60
-------------------------------------	----	-------	----	----	----

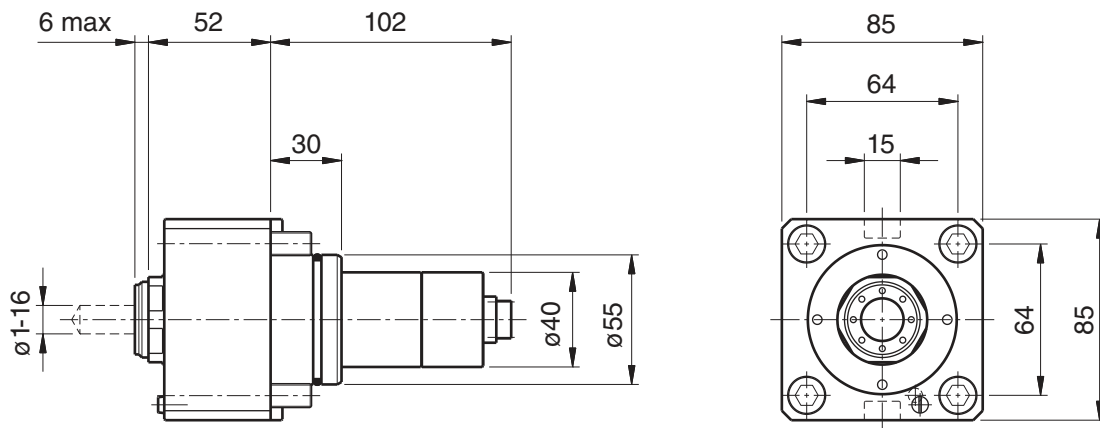
Drilling and milling head, axial, with collet chuck, external coolant supply DIN 1809 tenon coupling



Part number	0433221	
Max output torque	Nm	40
Max output speed	RPM	6.000
Transmission ratio	τ	1:1
Collet type		DIN 6499 -ER 25
Coupling type		DIN 1809 - 19x8
Input / Output rotation		Same
Mass	Kg	2,7

- Supplied with wrench, without collets
- For collets see chapter "Accessories"

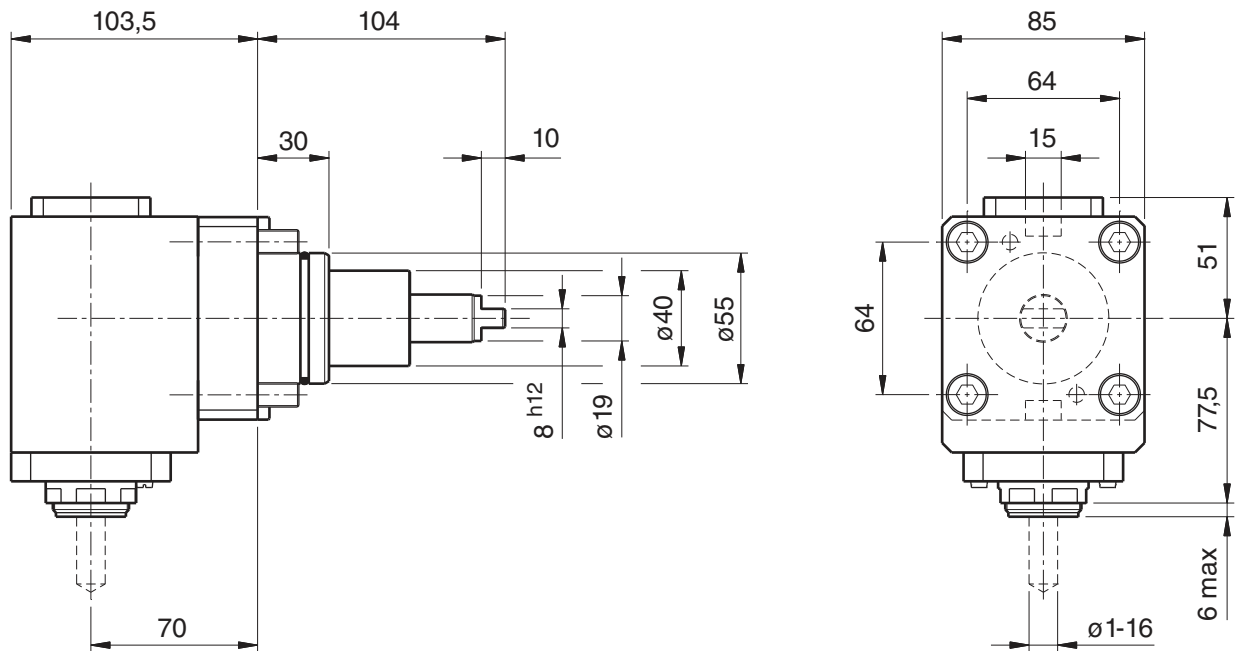
**Drilling and milling head, axial, with collet chuck, external coolant supply
DIN 5480 with zero-detent system power intake**



Part number	0433214	
Max output torque	Nm	40
Max output speed	RPM	6.000
Transmission ratio	τ	1:1
Collet type		DIN 6499 -ER 25
Coupling type		DIN 5480 - W16x0,8x30x18
Input / Output rotation		Same
Mass	Kg	2,7

- Supplied with wrench, without collets
- For collets see chapter "Accessories"

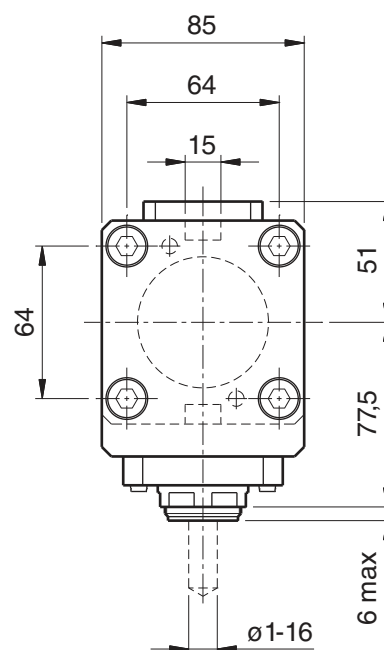
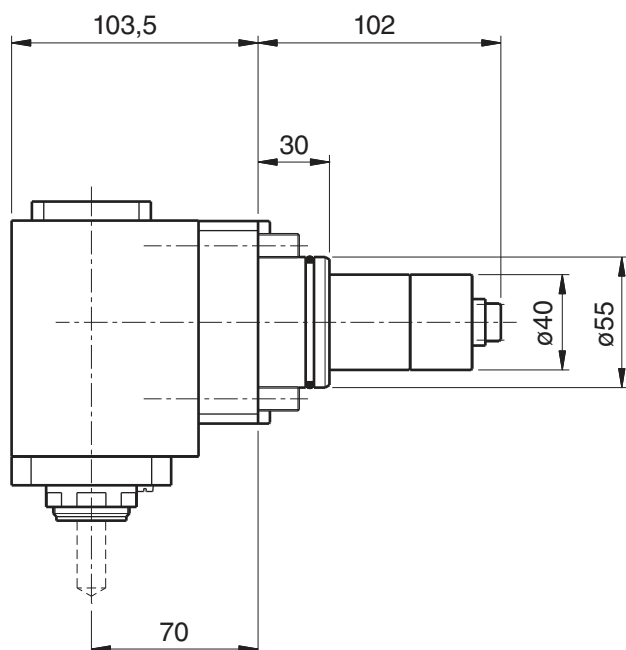
**Drilling and milling head, radial, with collet chuck, external coolant supply
DIN 1809 tenon coupling**



Part number	0433222	
Max output torque	Nm	40
Max output speed	RPM	6.000
Transmission ratio	τ	1:1
Collet type		DIN 6499 -ER 25
Coupling type		DIN 1809 - 19x8
Input / Output rotation		Same
Mass	Kg	7,0

- Supplied with wrench, without collets
- For collets see chapter "Accessories"

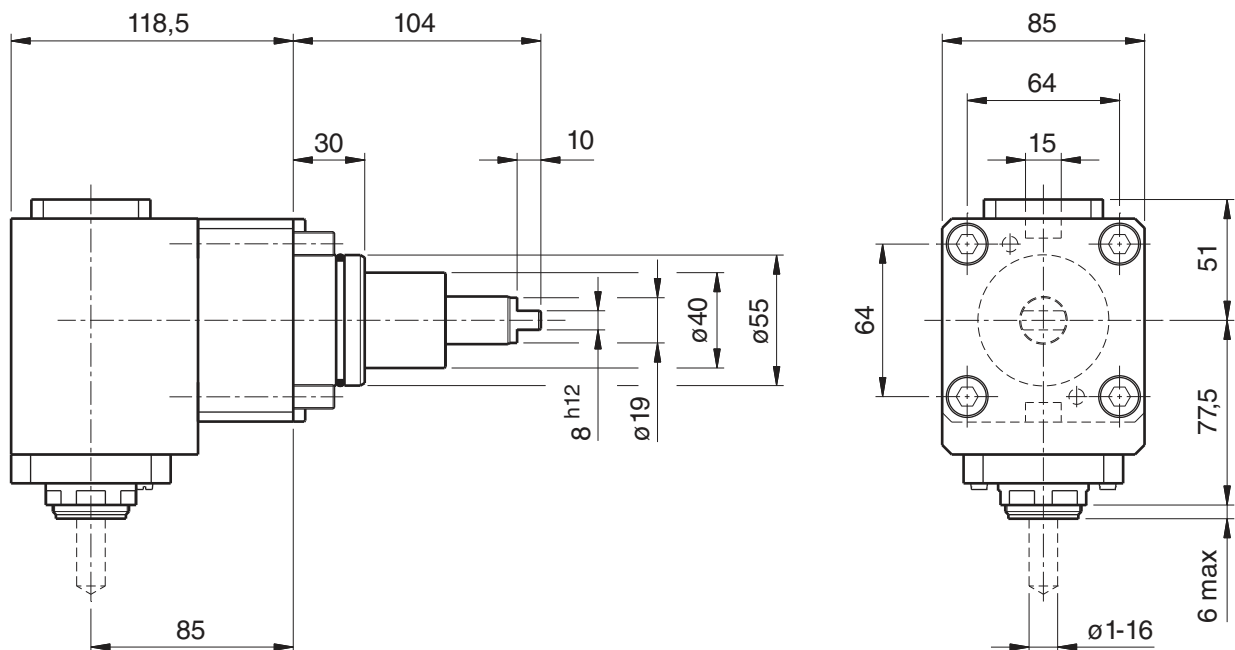
**Drilling and milling head, radial, with collet chuck, external coolant supply
DIN 5480 with zero-detent system power intake**



Part number	0433215	
Max output torque	Nm	40
Max output speed	RPM	6.000
Transmission ratio	τ	1:1
Collet type	DIN 6499 -ER 25	
Coupling type	DIN 5480 - W16x0,8x30x18	
Input / Output rotation	Same	
Mass	Kg	7,0

- Supplied with wrench, without collets
- For collets see chapter "Accessories"

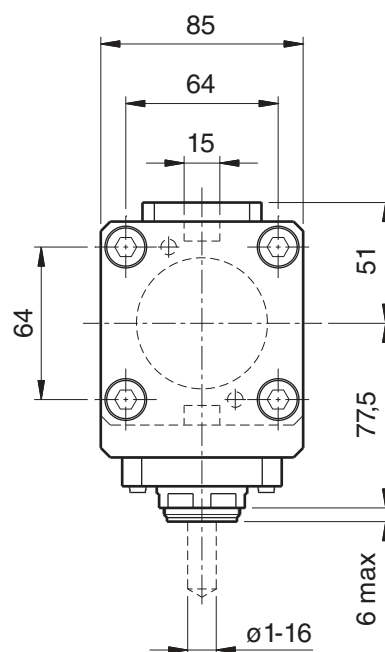
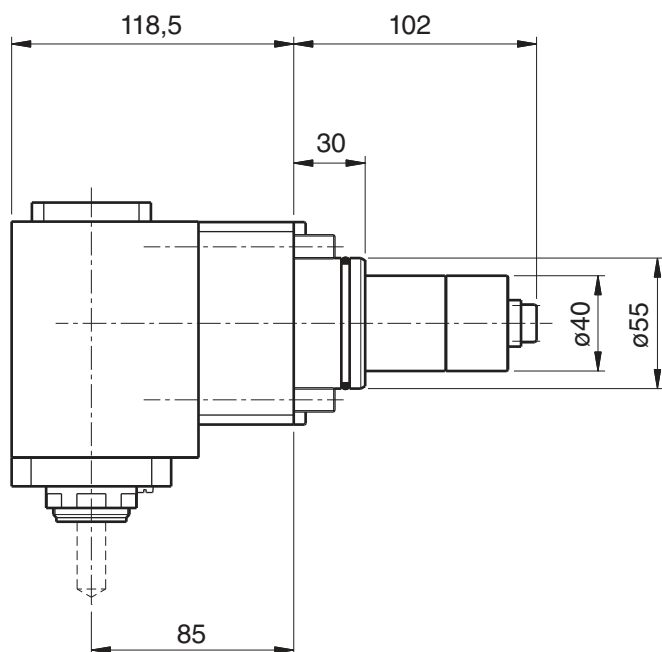
**Drilling and milling head, radial, with collet chuck, external coolant supply
DIN 1809 tenon coupling**



Part number	6476010	
Max output torque	Nm	40
Max output speed	RPM	6.000
Transmission ratio	τ	1:1
Collet type		DIN 6499 -ER 25
Coupling type		DIN 1809 - 19x8
Input / Output rotation		Same
Mass	Kg	7,5

- Supplied with wrench, without collets
- For collets see chapter "Accessories"

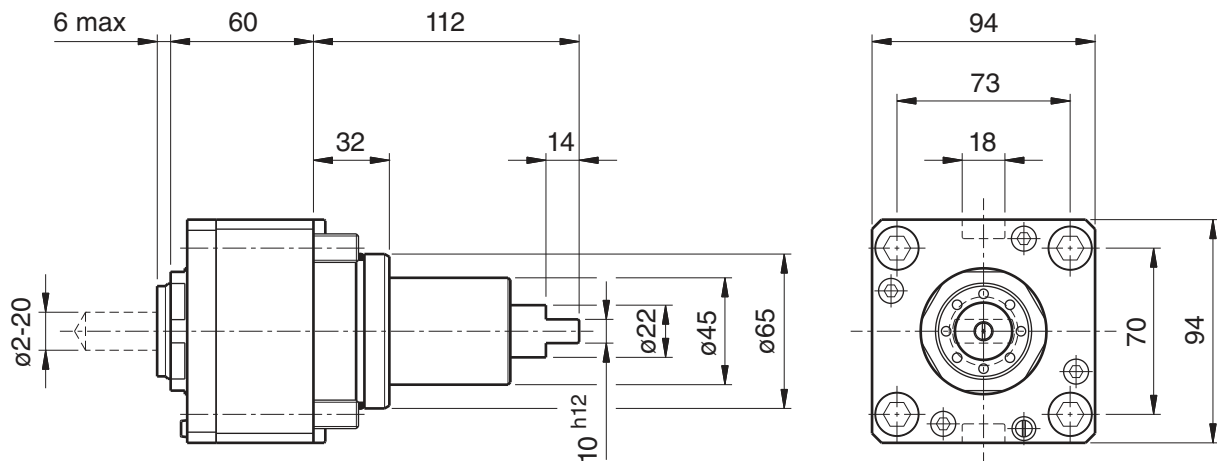
**Drilling and milling head, radial, with collet chuck, external coolant supply
DIN 5480 with zero-detent system power intake**



Part number	6476009	
Max output torque	Nm	40
Max output speed	RPM	6.000
Transmission ratio	τ	1:1
Collet type	DIN 6499 -ER 25	
Coupling type	DIN 5480 - W16x0,8x30x18	
Input / Output rotation	Same	
Mass	Kg	7,5

- Supplied with wrench, without collets
- For collets see chapter "Accessories"

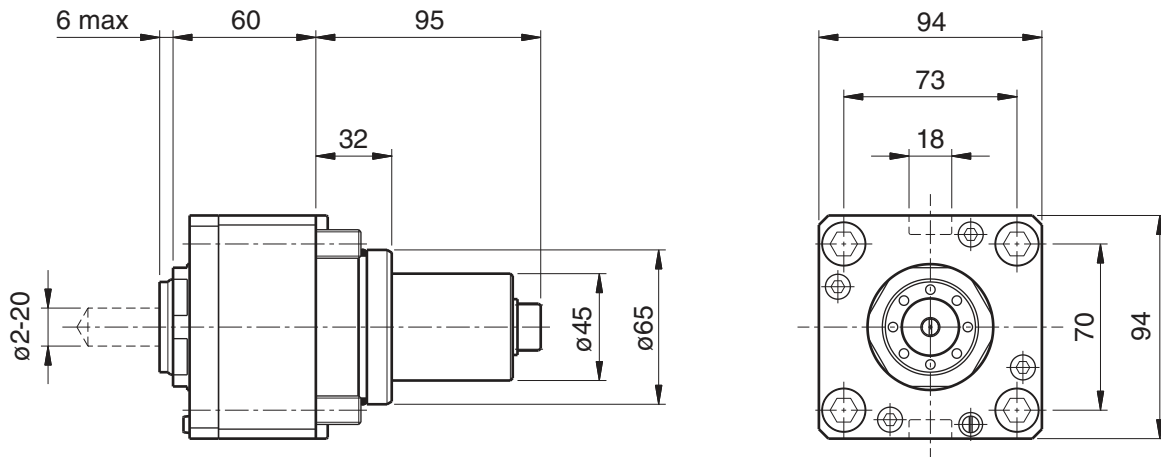
Drilling and milling head, axial, with collet chuck, external coolant supply DIN 1809 tenon coupling



Part number	6476007	
Max output torque	Nm	70
Max output speed	RPM	5.000
Transmission ratio	τ	1:1
Collet type		DIN 6499 -ER 32
Coupling type		DIN 1809 - 22x10
Input / Output rotation		Same
Mass	Kg	3,8

- Supplied with wrench, without collets
- For collets see chapter "Accessories"

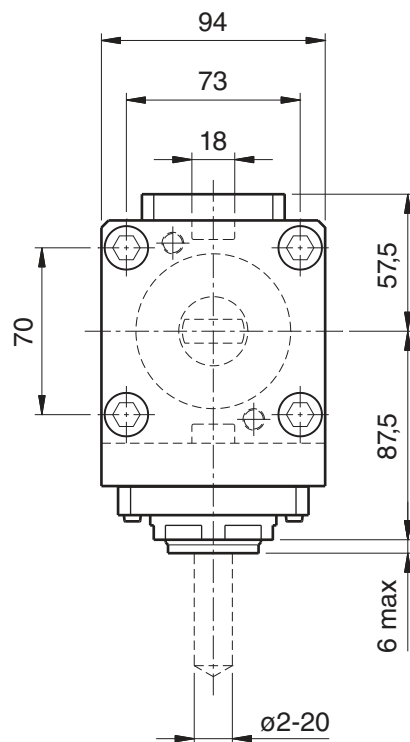
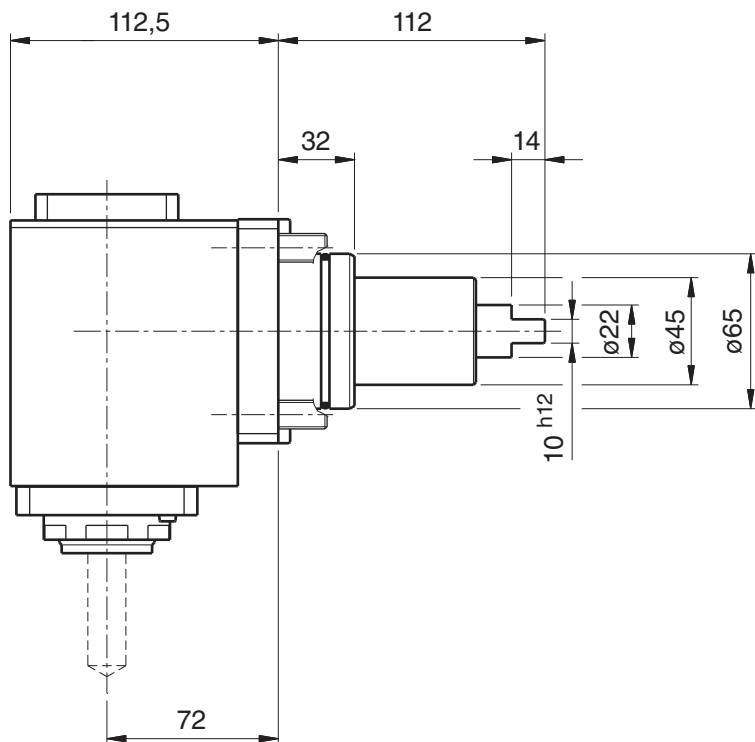
**Drilling and milling head, axial, with collet chuck, external coolant supply
DIN 5480 with zero-detent system power intake**



Part number	6476008	
Max output torque	Nm	70
Max output speed	RPM	5.000
Transmission ratio	τ	1:1
Collet type		DIN 6499 -ER 32
Coupling type		DIN 5480-W20x0,8x30x24
Input / Output rotation		Same
Mass	Kg	4,4

- Supplied with wrench, without collets
- For collets see chapter "Accessories"

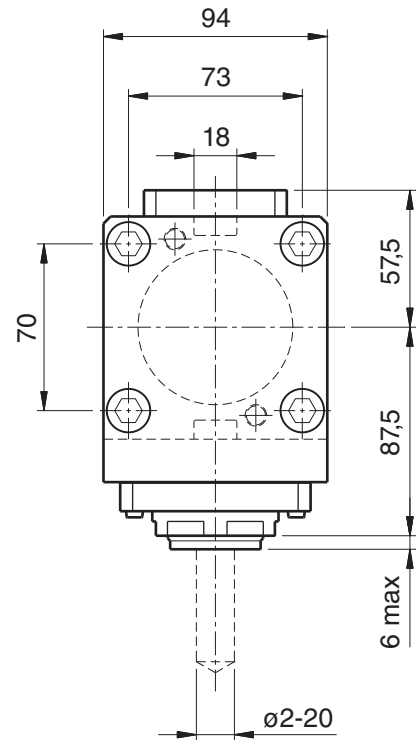
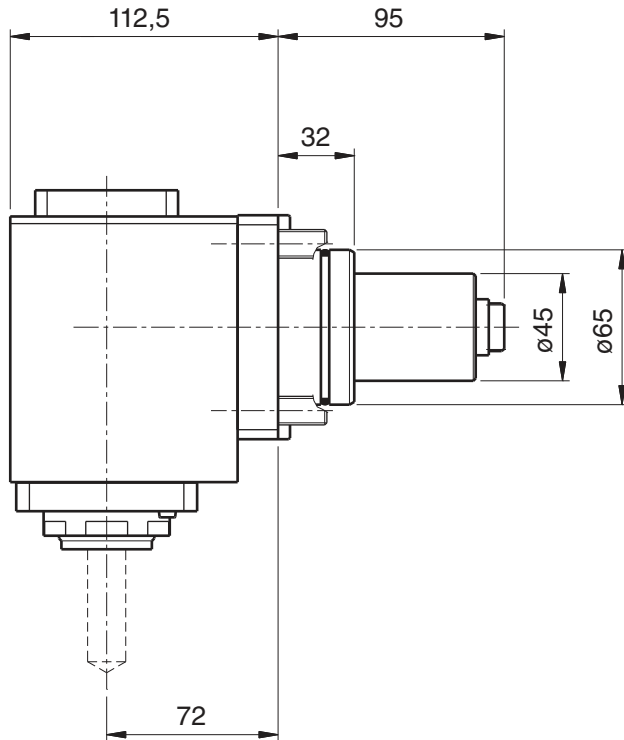
**Drilling and milling head, radial, with collet chuck, external coolant supply
DIN 1809 tenon coupling**



Part number	6476012	
Max output torque	Nm	70
Max output speed	RPM	5.000
Transmission ratio	τ	1:1
Collet type		DIN 6499 -ER 32
Coupling type		DIN 1809 - 22x10
Input / Output rotation		Same
Mass	Kg	9,0

- Supplied with wrench, without collets
- For collets see chapter "Accessories"

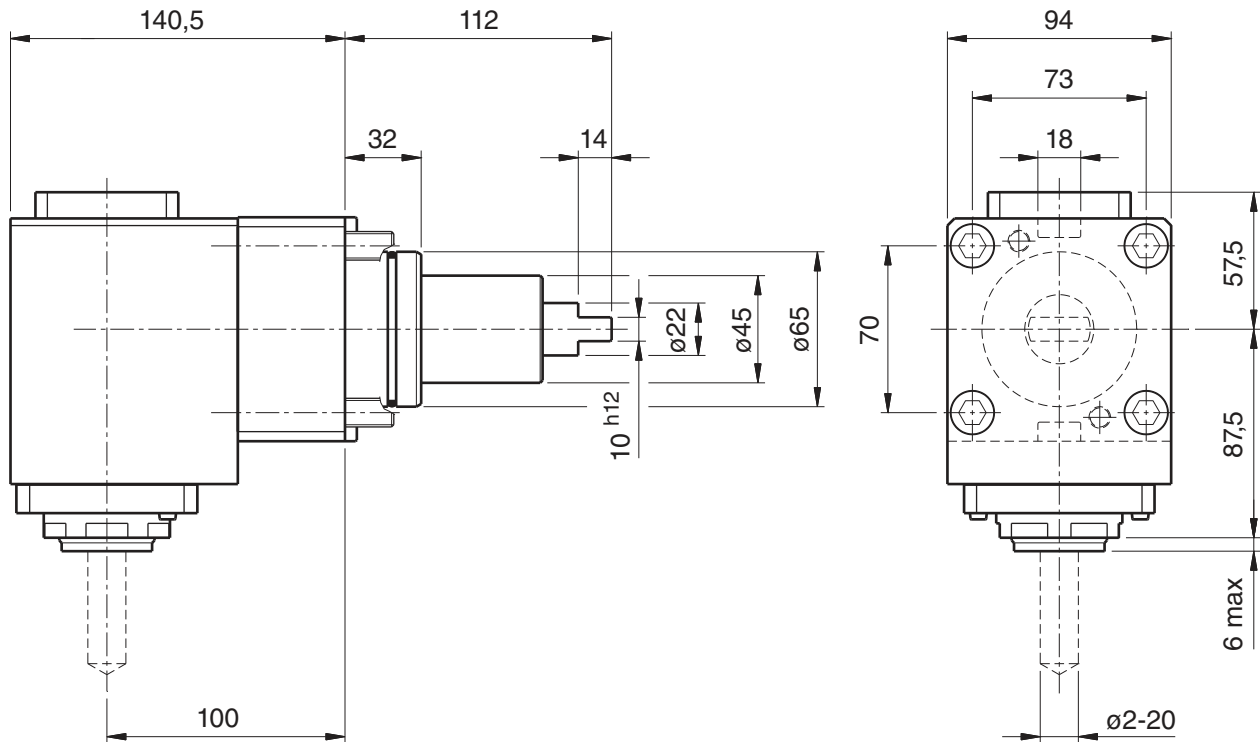
**Drilling and milling head, radial, with collet chuck, external coolant supply
DIN 5480 with zero-detent system power intake**



Part number	6476011	
Max output torque	Nm	70
Max output speed	RPM	5.000
Transmission ratio	τ	1:1
Collet type	DIN 6499 -ER 32	
Coupling type	DIN 5480-W20x0,8x30x24	
Input / Output rotation	Same	
Mass	Kg	9,0

- Supplied with wrench, without collets
- For collets see chapter "Accessories"

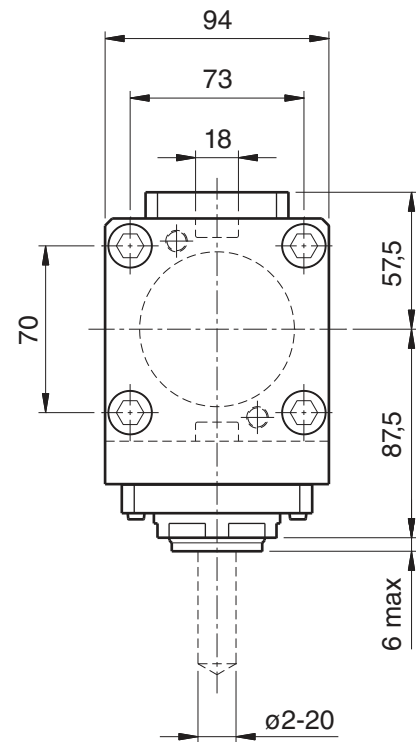
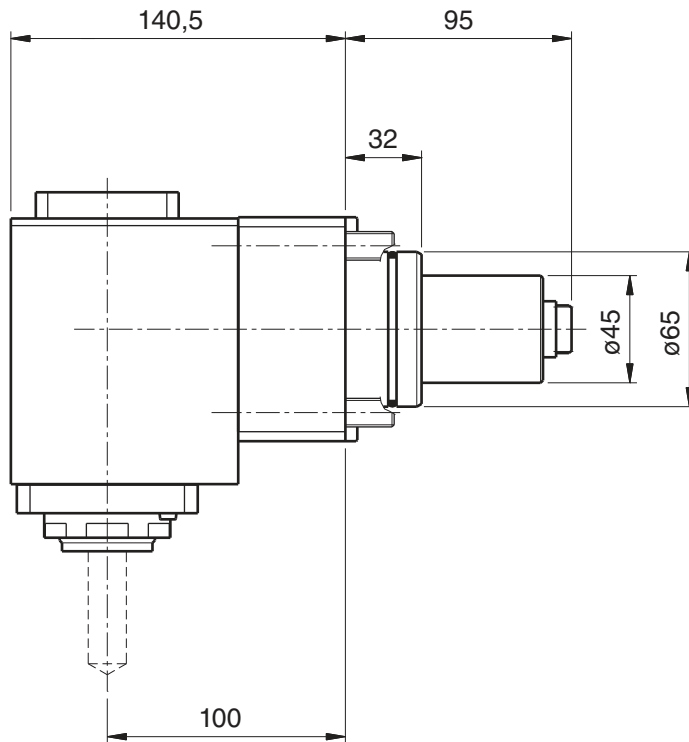
Drilling and milling head, radial, with collet chuck, external coolant supply DIN 1809 tenon coupling



Part number	6476014	
Max output torque	Nm	70
Max output speed	RPM	5.000
Transmission ratio	τ	1:1
Collet type		DIN 6499 -ER 32
Coupling type		DIN 1809 - 22x10
Input / Output rotation		Same
Mass	Kg	10,9

- Supplied with wrench, without collets
- For collets see chapter "Accessories"

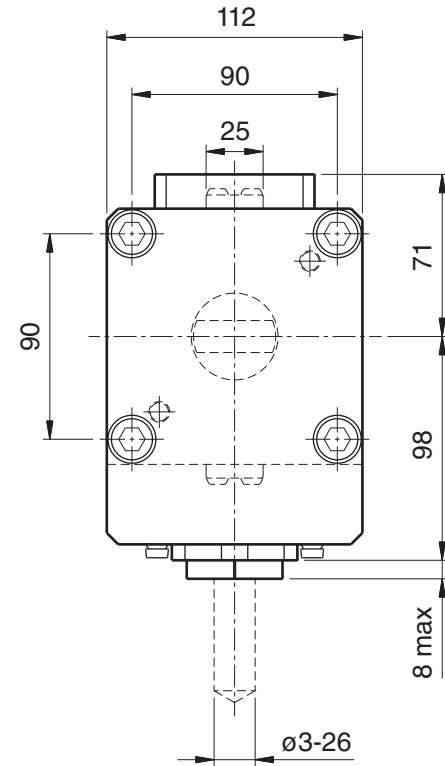
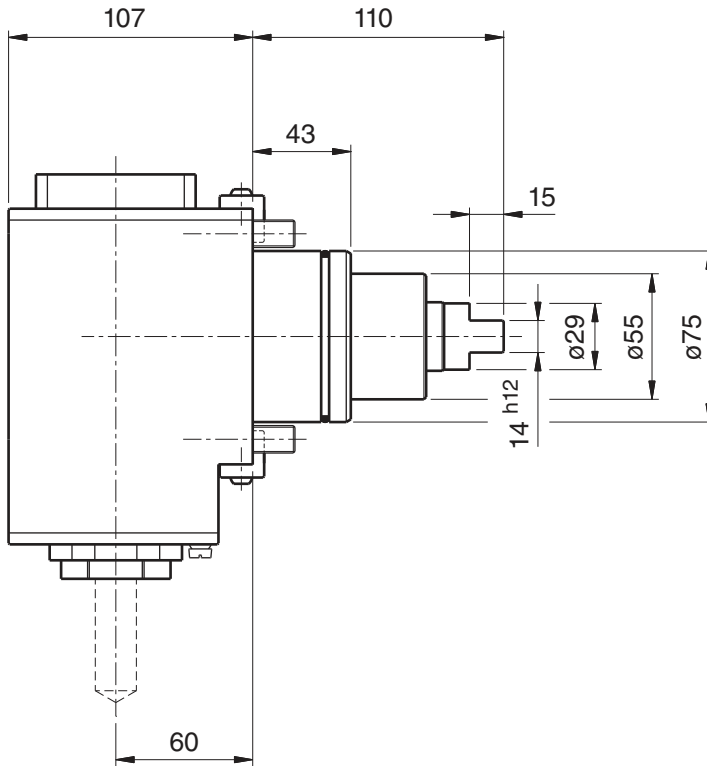
**Drilling and milling head, radial, with collet chuck, external coolant supply
DIN 5480 with zero-detent system power intake**



Part number	6476013	
Max output torque	Nm	70
Max output speed	RPM	5.000
Transmission ratio	τ	1:1
Collet type	DIN 6499 -ER 32	
Coupling type	DIN 5480-W20x0,8x30x24	
Input / Output rotation	Same	
Mass	Kg	10,9

- Supplied with wrench, without collets
- For collets see chapter "Accessories"

**Drilling and milling head, radial, with collet chuck, external coolant supply
DIN 5480 with zero-detent system power intake**



Part number	6476005	
Max output torque	Nm	100
Max output speed	RPM	3.500
Transmission ratio	τ	1:1
Collet type		DIN 6499 -ER 40
Coupling type		DIN 1809 - 29x14
Input / Output rotation		Same
Mass	Kg	12,6

- Supplied with wrench, without collets
- For collets see chapter "Accessories"

COLLETS

ER (DIN 6499)

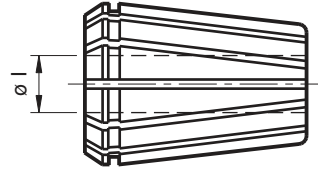
ER * - *

DIN 6499 collet

Size	20
	25
	32
	40
	50

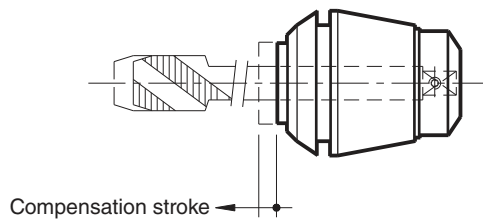
Capacity "l" code

Ex. Diameter	Code
3,0	030
11,0	110



Collet size	Unified N°	Capacity [mm]	Increment [mm]
20	428E	1÷13	1
25	430E	1÷16	1
32	470E	2÷20	1
40	472E	3÷26	1
50	474E	10÷34	1

TP Tapping collets (PCM)



Tapping collets with inside tension compensation. For further informations and ordering code, please contact our Technical Office.

DIPLOMATIC AUTOMATION S.r.l.
20025 LEGNANO (MI) - ITALY
P.LE BOZZI, 1
PHONE 0331/472111
FAX 0331/455161



DIPLOMATIC
AUTOMATION

e-mail: info@diplomatic.it

come visit Diplomatic homepage:
www.diplomaticautomation.com