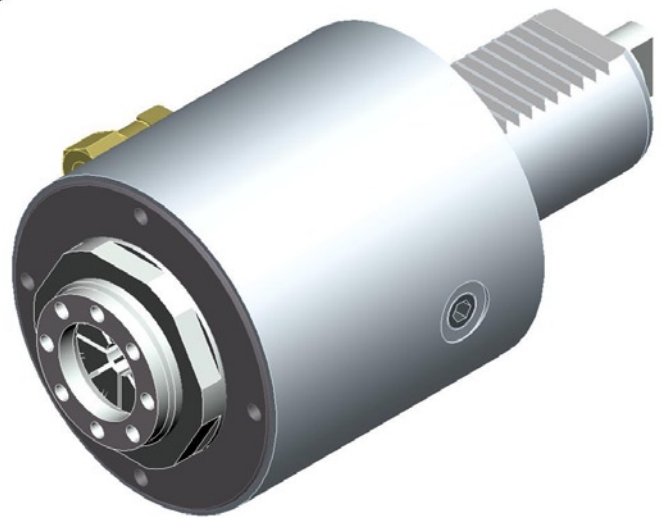
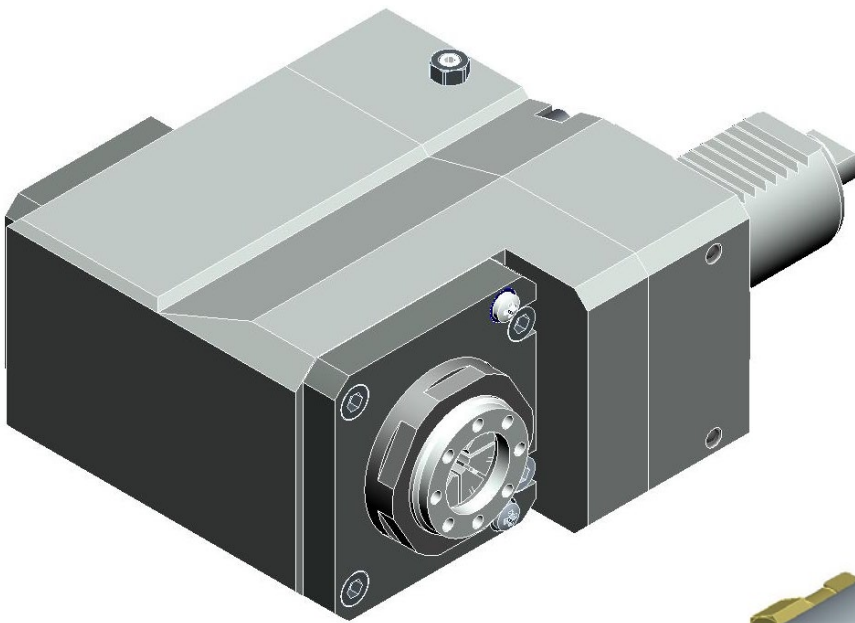




**DUPLOMATIC**  
AUTOMATION

**NEW**



## **DIN 69880 ROTATING TOOLHOLDERS**

### **NEW "50 SERIES"**

**DT 128**



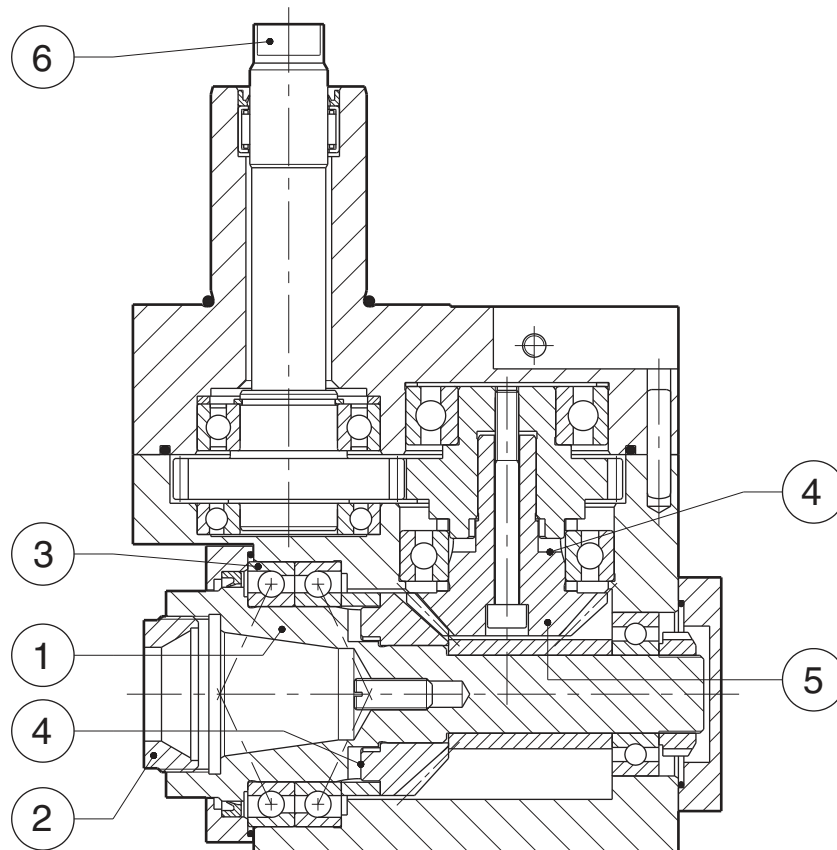
**New design, value engineering technique and modular concept for:**

Superior quality

Higher technical performances

Quick delivery

Competitive prices



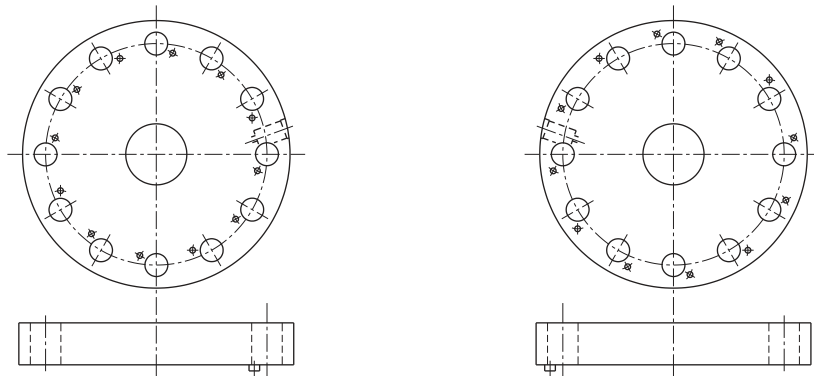
- 1** – High accuracy spindle, DIN 6499 ER type.
- 2** – Internal clamping nut for higher stiffness (minimized tool / bearings distance).
- 3** – High precision preloaded spindle bearings.
- 4** – Integral frontal-type connection systems (no keys).
- 5** – Cyclopalloid bevel gears for heavy duty power transmission.
- 6** – Integral tenon DIN 1809 power intake.

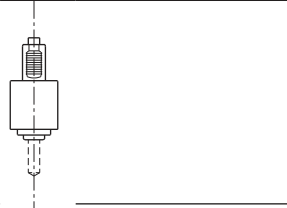

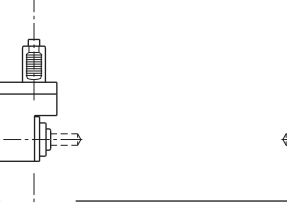
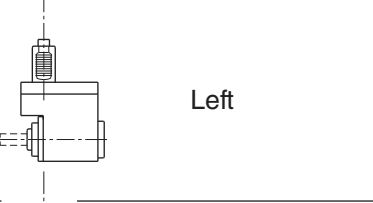
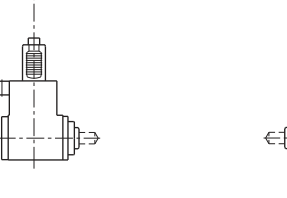

**VERSIONS AND DISC FITTINGS**

**AXIAL TOOL DISC**

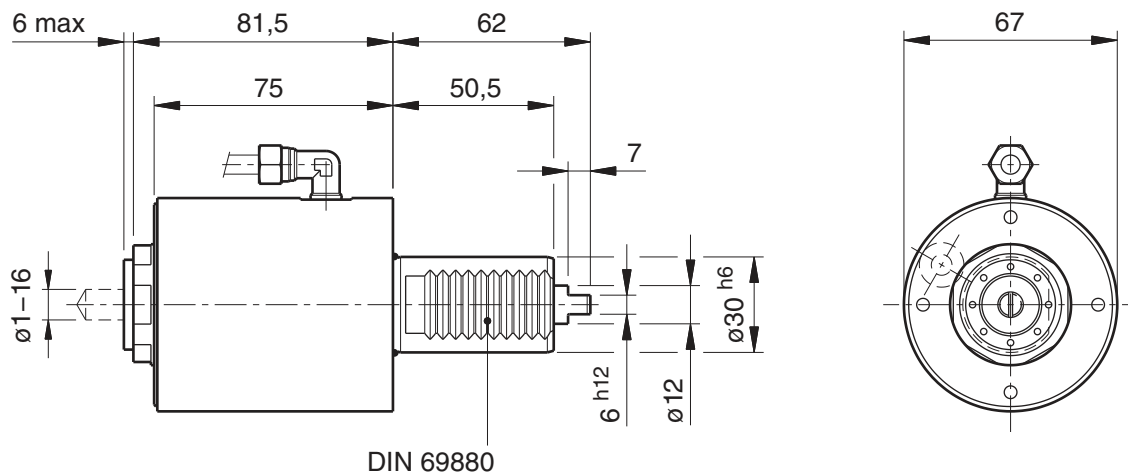
**RIGHT**

**LEFT**

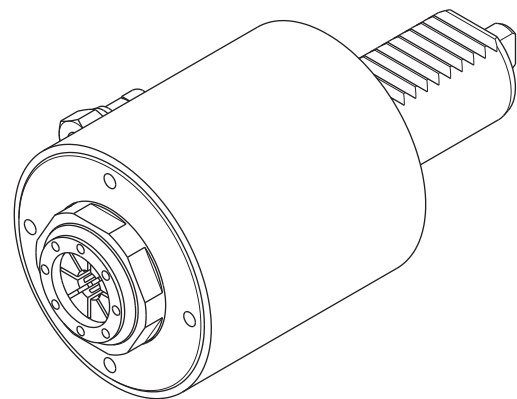


<p><b>PRA</b> Axial unit</p>				<p>Chapter 1.**</p>
<p><b>PRR</b> Radial unit</p>	<p>Right</p>		<p>Left</p> 	<p>Chapter 2.**</p>
<p><b>PRR-B</b> Jutting radial unit</p>	<p>Right</p>		<p>Left</p> 	<p>Chapter 3.**</p>

## Drilling and milling head, axial, with collet chuck and tenon coupling

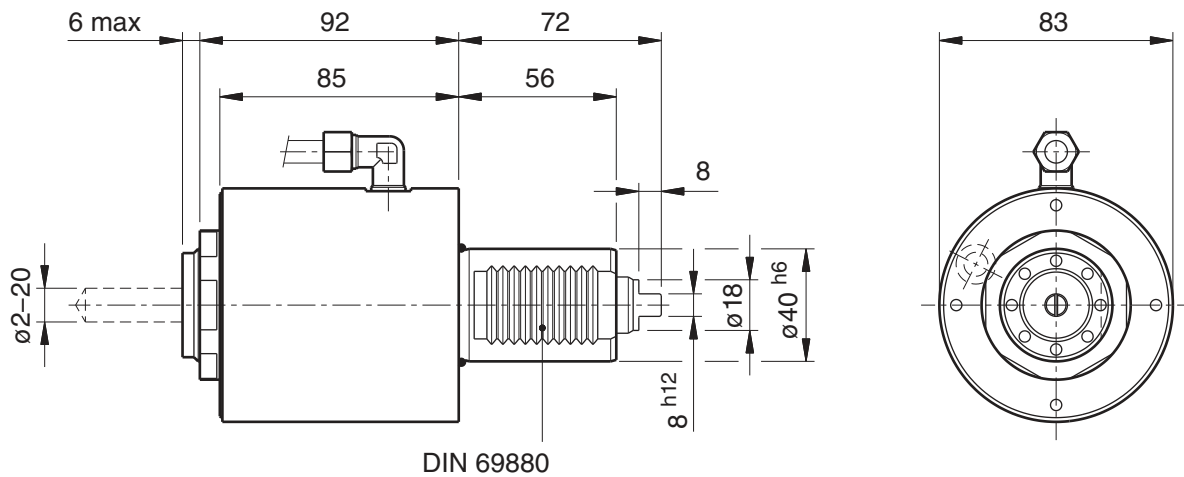


Part number	<b>6477310</b>	
Max output torque	Nm	40
Max output speed	RPM	6.000
Transmission ratio	$\tau$	1:1
Collet type	DIN 6499 -ER 25	
Coupling type	DIN 1809 - 12x6	
Input / Output rotation	Same	
Mass	Kg	2,2

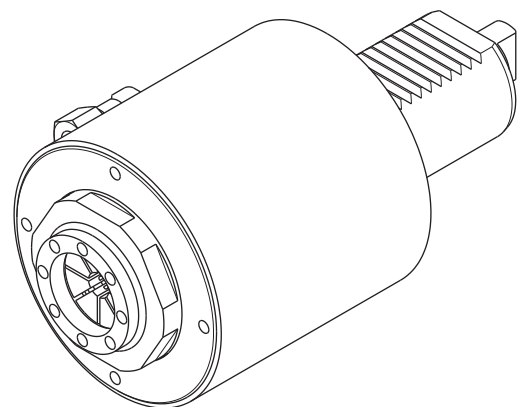


- Supplied with wrench, without collets
- For collets see chapter "Accessories"

**Drilling and milling head, axial, with collet chuck and tenon coupling**

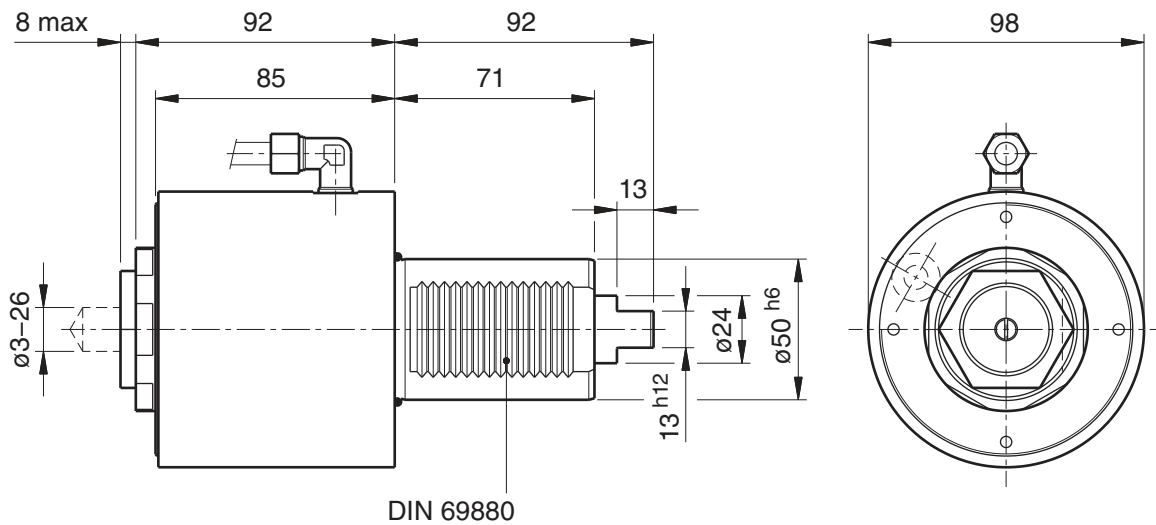


Part number	<b>6477311</b>	
Max output torque	Nm	63
Max output speed	RPM	5.000
Transmission ratio	$\tau$	1:1
Collet type	DIN 6499 -ER 32	
Coupling type	DIN 1809 - 18x8	
Input / Output rotation	Same	
Mass	Kg	3,8

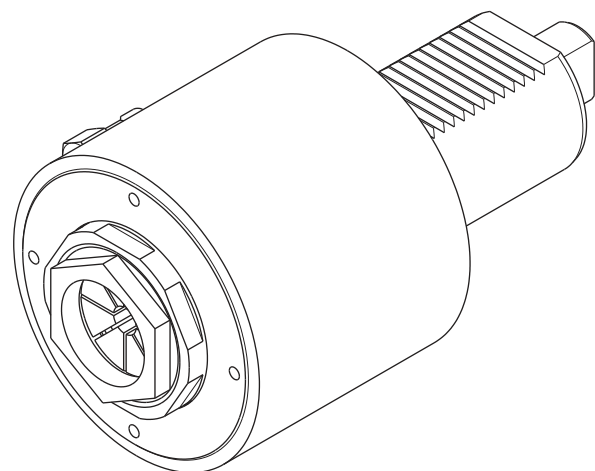


- Supplied with wrench, without collets
- For collets see chapter "Accessories"

**Drilling and milling head, axial, with collet chuck and tenon coupling**

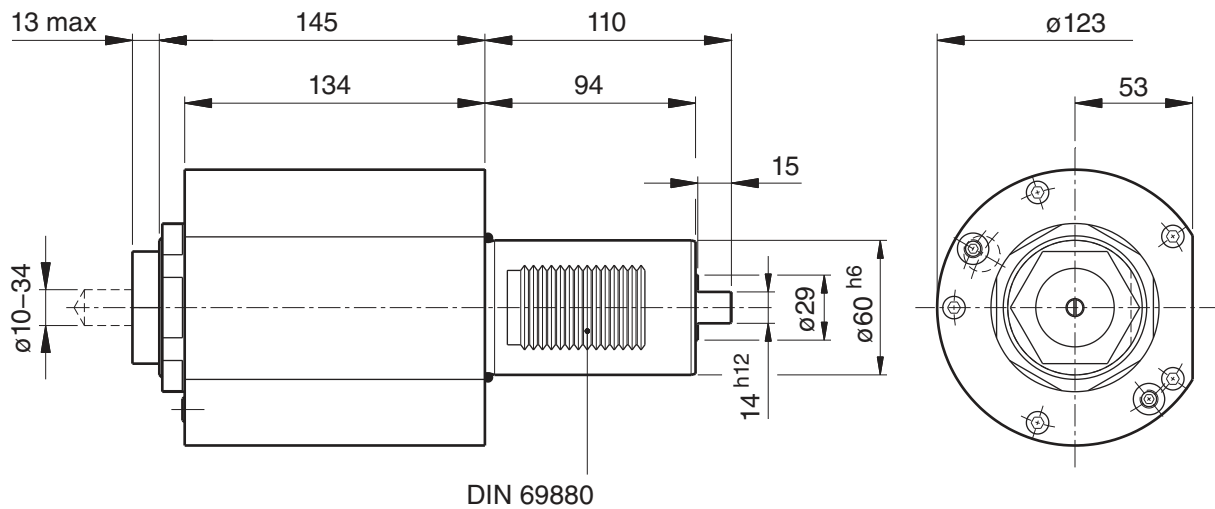


Part number	<b>6477312</b>	
Max output torque	Nm	100
Max output speed	RPM	4.000
Transmission ratio	$\tau$	1:1
Collet type	DIN 6499 -ER 40	
Coupling type	DIN 1809 - 24x13	
Input / Output rotation	Same	
Mass	Kg	5,5

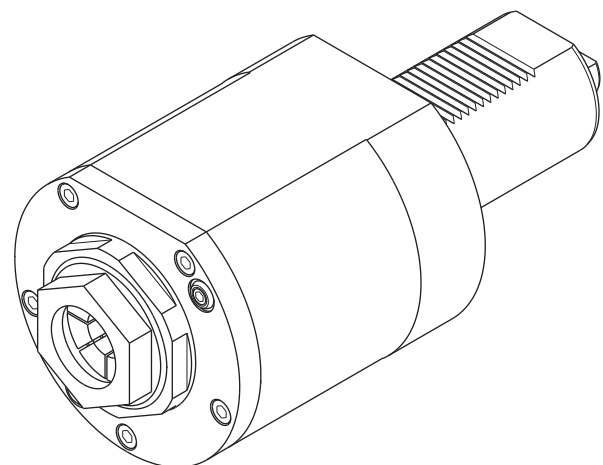


- Supplied with wrench, without collets
- For collets see chapter "Accessories"

**Drilling and milling head, axial, with collet chuck and tenon coupling**



Part number	<b>6477313</b>	
Max output torque	Nm	180
Max output speed	RPM	4.000
Transmission ratio	$\tau$	1:1
Collet type		DIN 6499 -ER 50
Coupling type		DIN 1809 - 29x14
Input / Output rotation		Same
Mass	Kg	12,7

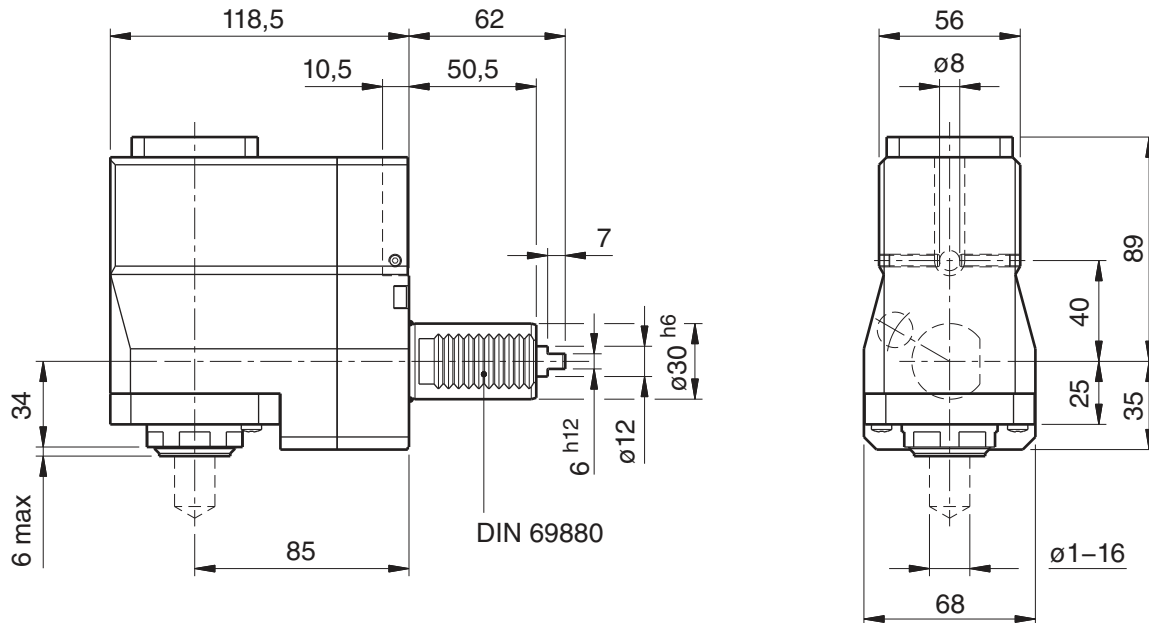


- Supplied with wrench, without collets
- For collets see chapter "Accessories"

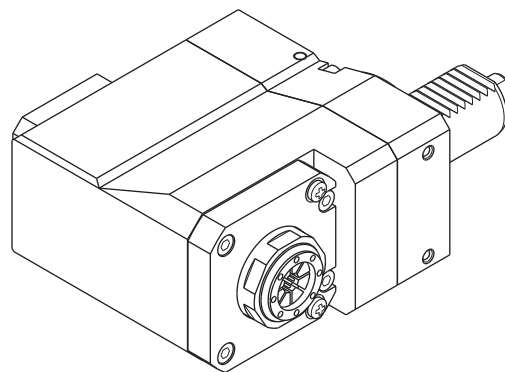




**Drilling and milling head, radial, with collet chuck and tenon coupling**

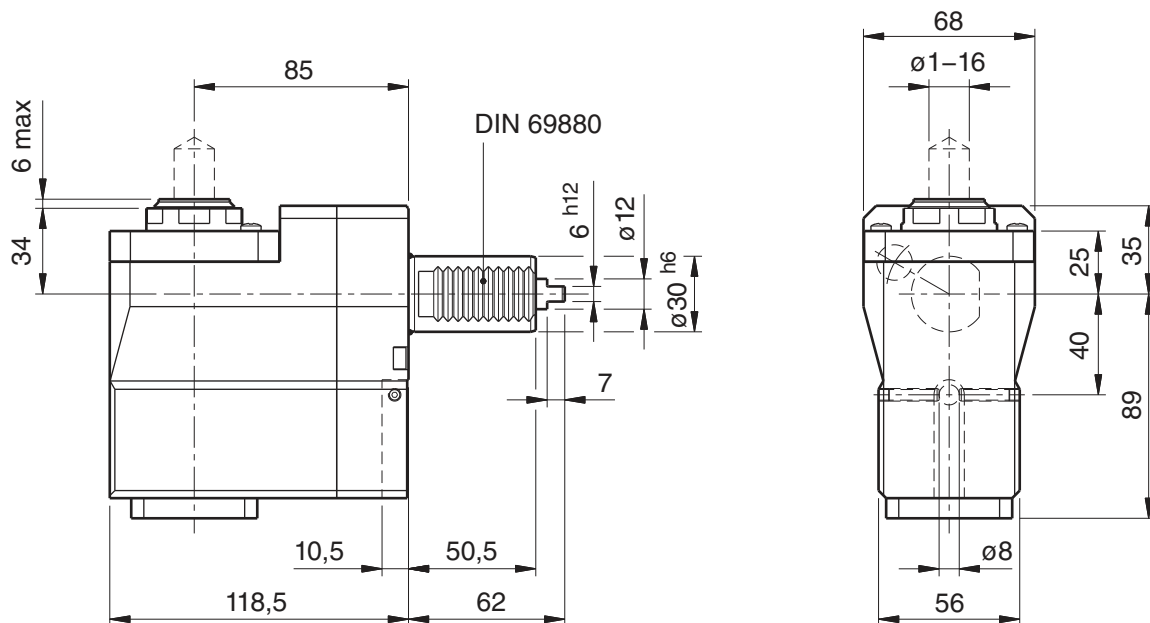


Part number		<b>6478501</b>
Max output torque	Nm	40
Max output speed	RPM	6.000
Transmission ratio	$\tau$	1:1
Collet type		DIN 6499 -ER 25
Coupling type		DIN 1809 - 12x6
Input / Output rotation		Reverse
Mass	Kg	5,6

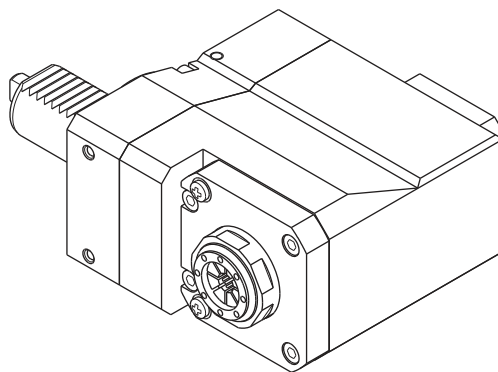


- Supplied with wrench, without collets
- For collets see chapter "Accessories"

**Drilling and milling head, radial, with collet chuck and tenon coupling**

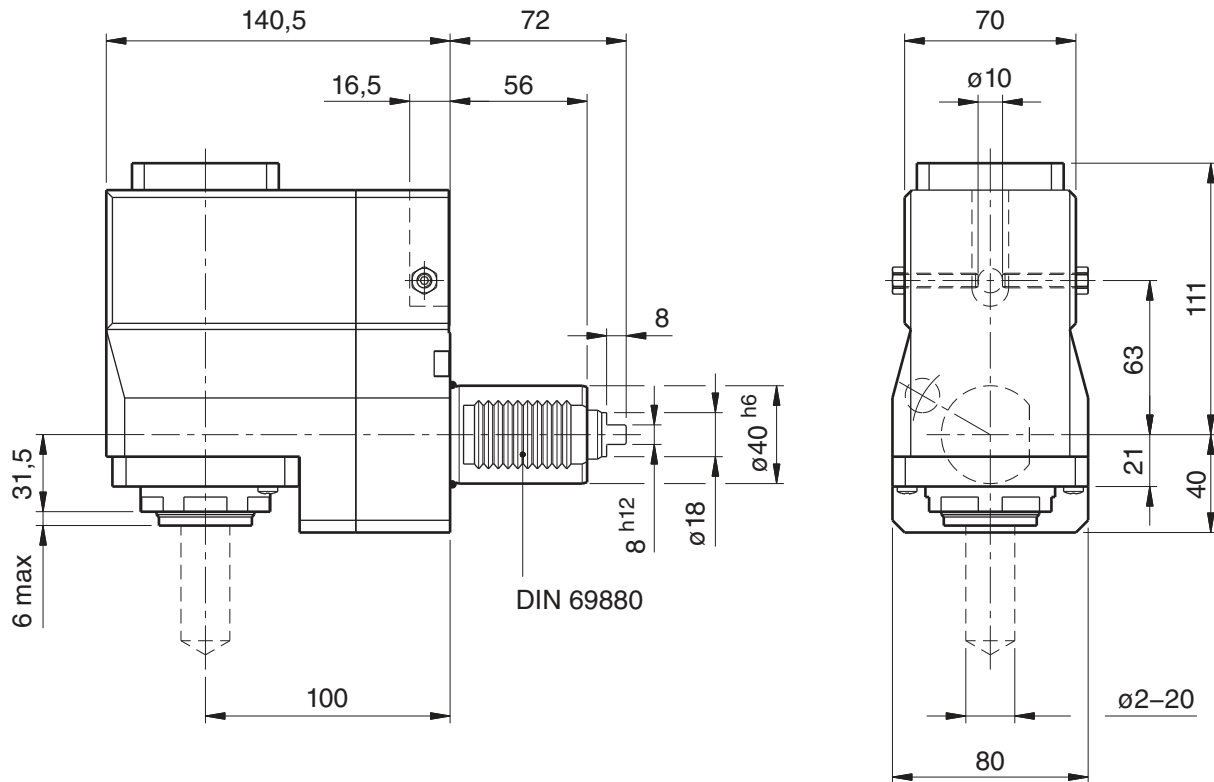


Part number	<b>6478504</b>	
Max output torque	Nm	40
Max output speed	RPM	6.000
Transmission ratio	$\tau$	1:1
Collet type	DIN 6499 -ER 25	
Coupling type	DIN 1809 - 12x6	
Input / Output rotation	Reverse	
Mass	Kg	5,6

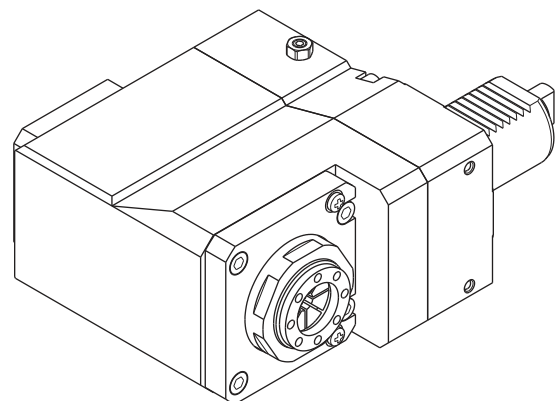


- Supplied with wrench, without collets
- For collets see chapter "Accessories"

**Drilling and milling head, radial, with collet chuck and tenon coupling**

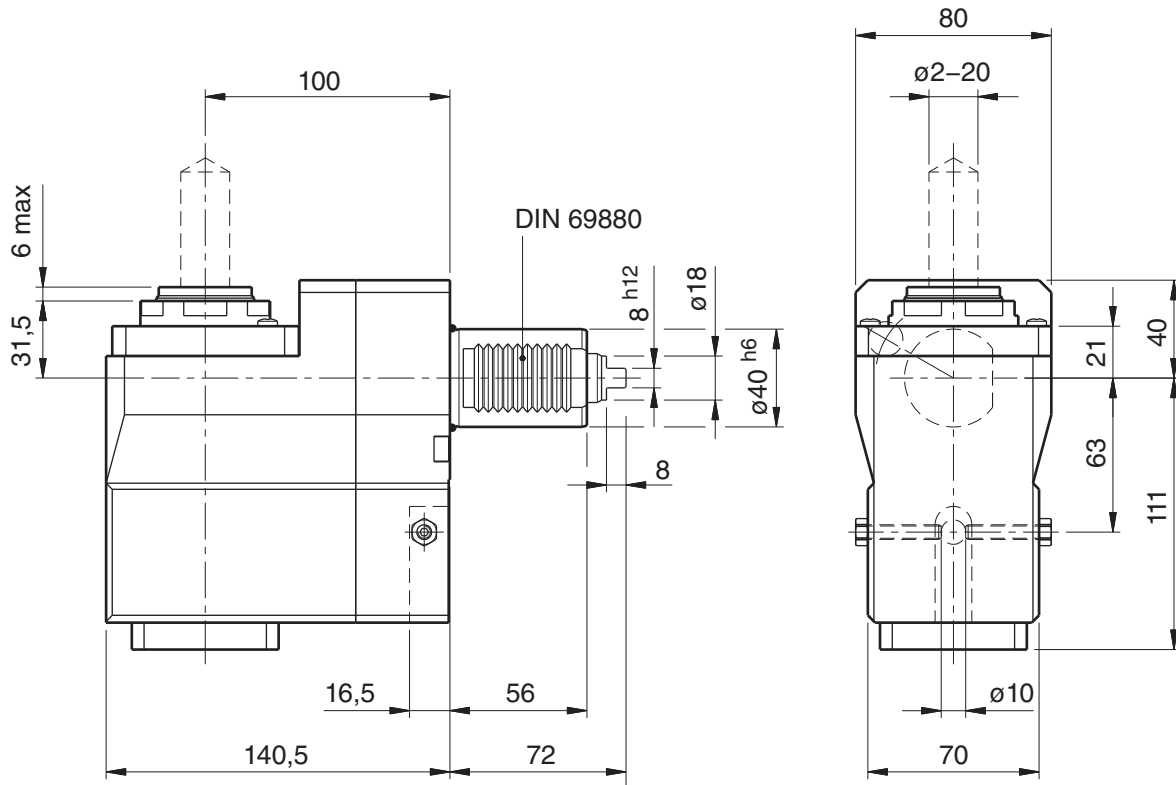


Part number	<b>6478502</b>	
Max output torque	Nm	63
Max output speed	RPM	5.000
Transmission ratio	$\tau$	1:1
Collet type	DIN 6499 -ER 32	
Coupling type	DIN 1809 - 18x8	
Input / Output rotation	Reverse	
Mass	Kg	9,8

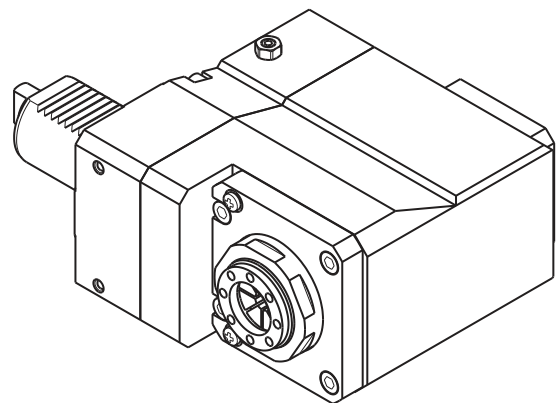


- Supplied with wrench, without collets
- For collets see chapter "Accessories"

**Drilling and milling head, radial, with collet chuck and tenon coupling**

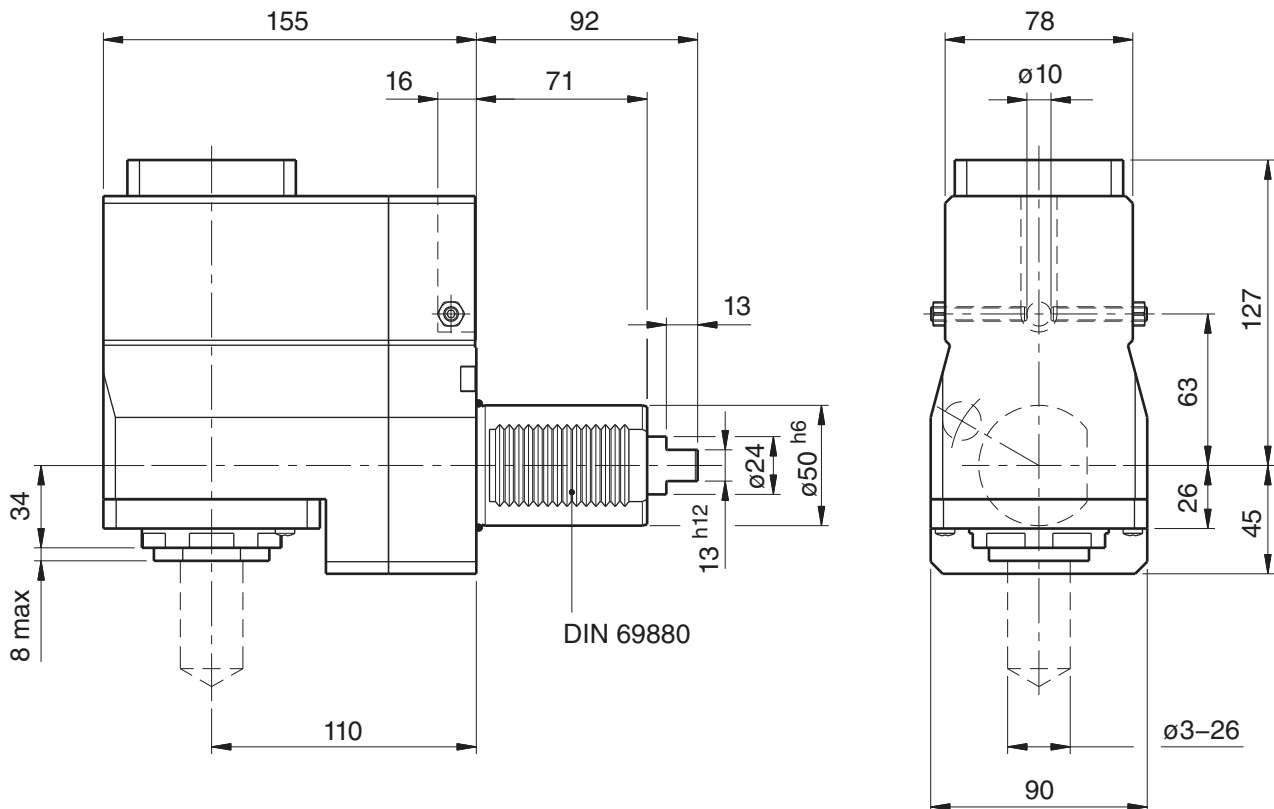


Part number	<b>6478505</b>	
Max output torque	Nm	63
Max output speed	RPM	5.000
Transmission ratio	$\tau$	1:1
Collet type	DIN 6499 -ER 32	
Coupling type	DIN 1809 - 18x8	
Input / Output rotation	Reverse	
Mass	Kg	9,8

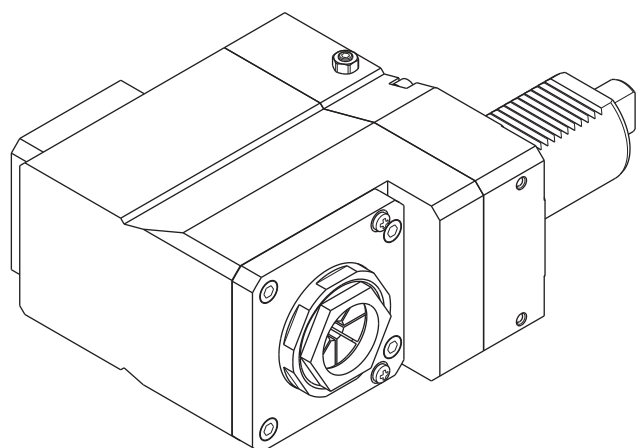


- Supplied with wrench, without collets
- For collets see chapter "Accessories"

**Drilling and milling head, radial, with collet chuck and tenon coupling**

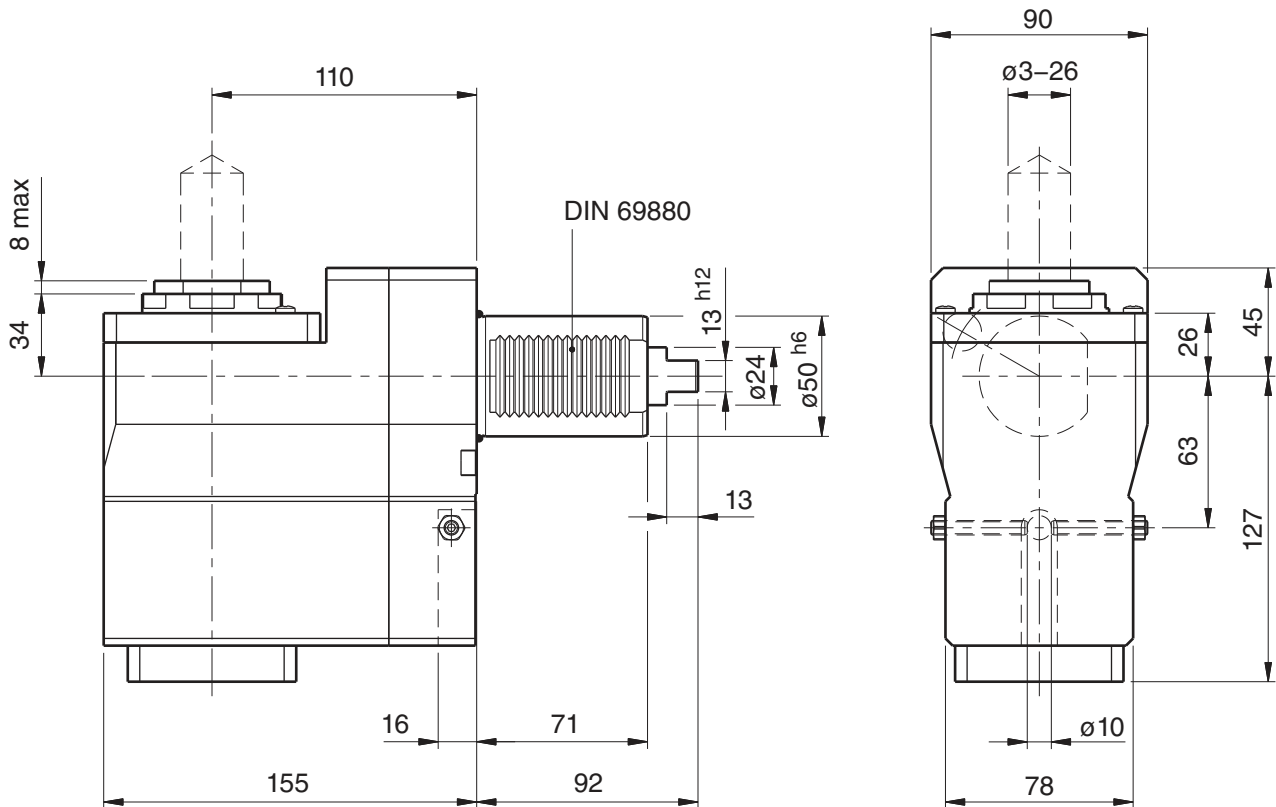


Part number	<b>6478503</b>	
Max output torque	Nm	100
Max output speed	RPM	4.000
Transmission ratio	$\tau$	1:1
Collet type	DIN 6499 -ER 40	
Coupling type	DIN 1809 - 24x13	
Input / Output rotation	Reverse	
Mass	Kg	14,0

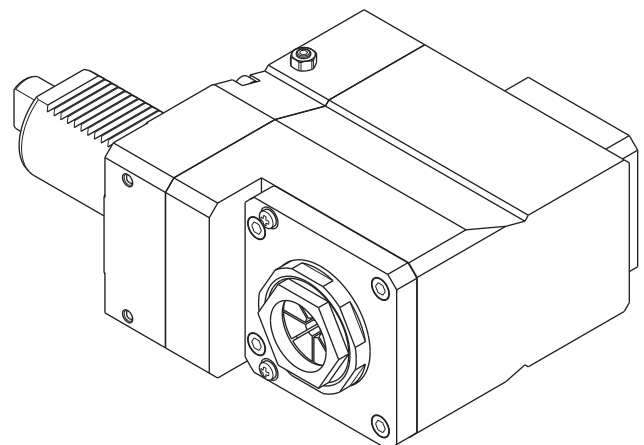


- Supplied with wrench, without collets
- For collets see chapter "Accessories"

**Drilling and milling head, radial, with collet chuck and tenon coupling**

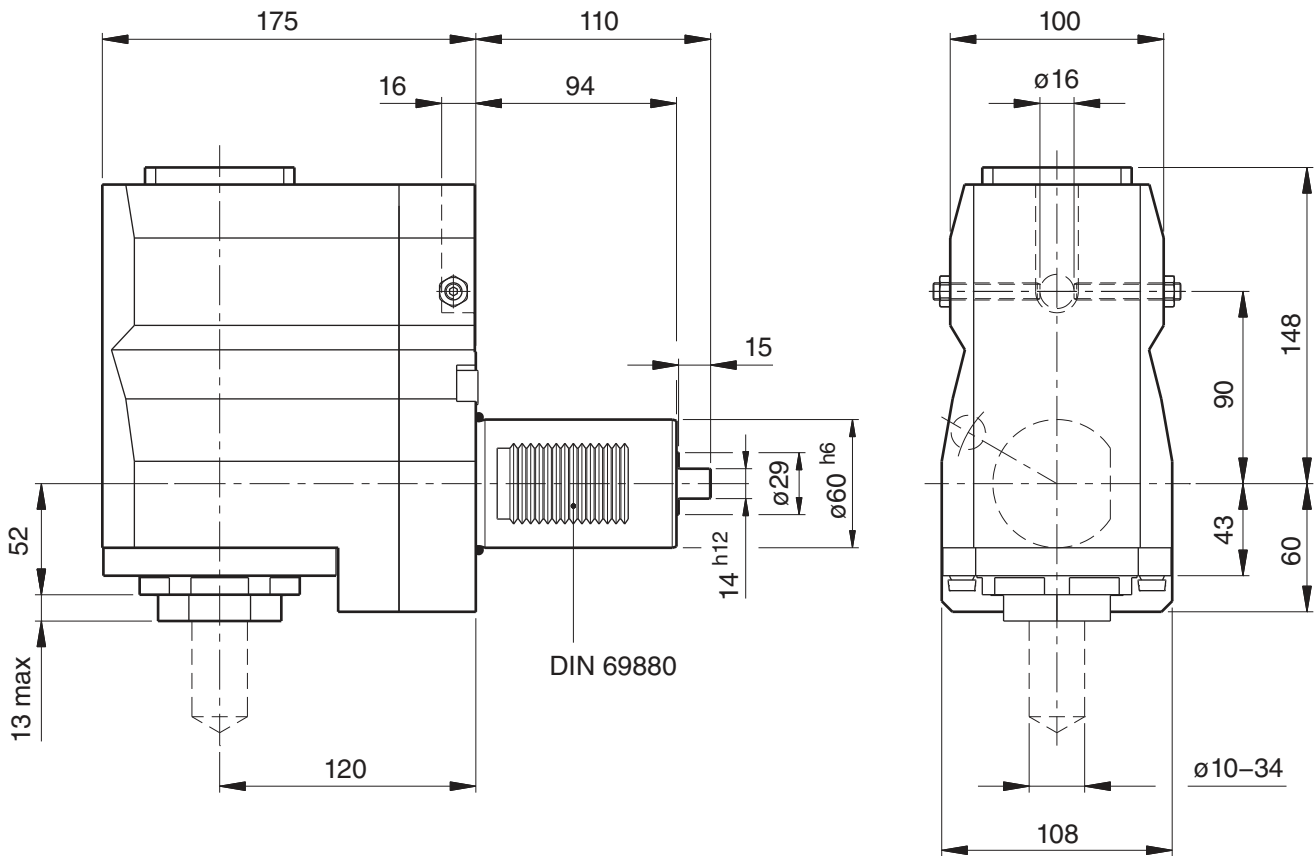


Part number	<b>6478506</b>	
Max output torque	Nm	100
Max output speed	RPM	4.000
Transmission ratio	$\tau$	1:1
Collet type	DIN 6499 -ER 40	
Coupling type	DIN 1809 - 24x13	
Input / Output rotation	Reverse	
Mass	Kg	14,0

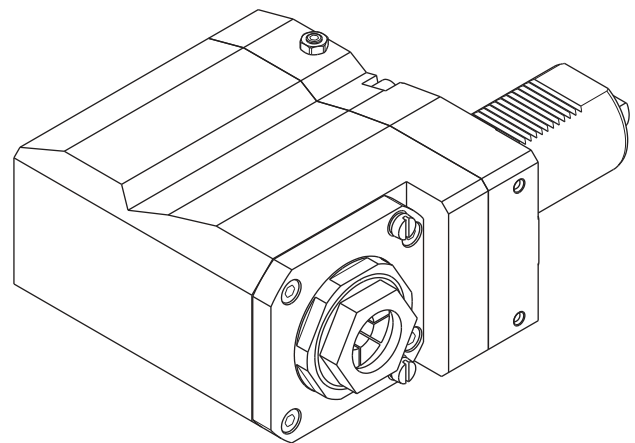


- Supplied with wrench, without collets
- For collets see chapter "Accessories"

**Drilling and milling head, radial, with collet chuck and tenon coupling**



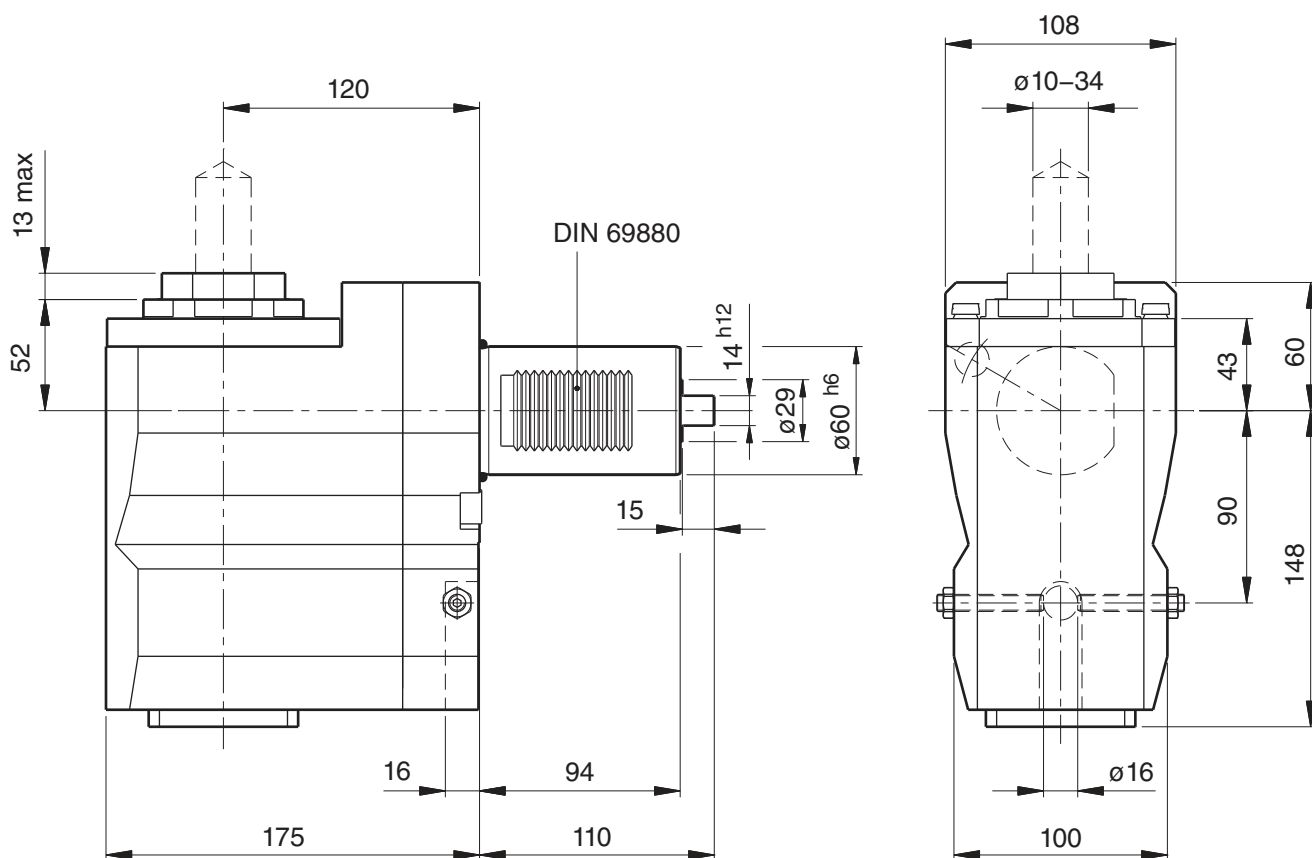
Part number	<b>6478507</b>	
Max output torque	Nm	180
Max output speed	RPM	4.000
Transmission ratio	$\tau$	1:1
Collet type		DIN 6499 -ER 50
Coupling type		DIN 1809 - 29x14
Input / Output rotation		Reverse
Mass	Kg	23,9



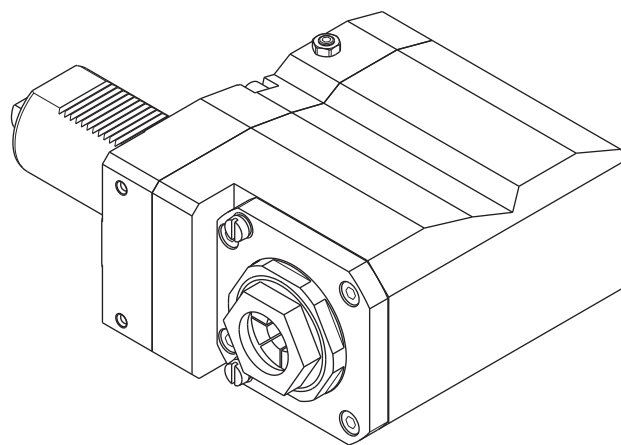
- Supplied with wrench, without collets
- For collets see chapter "Accessories"



**Drilling and milling head, radial, with collet chuck and tenon coupling**



Part number	<b>6478508</b>	
Max output torque	Nm	180
Max output speed	RPM	4.000
Transmission ratio	$\tau$	1:1
Collet type		DIN 6499 -ER 50
Coupling type		DIN 1809 - 29x14
Input / Output rotation		Reverse
Mass	Kg	23,9



- Supplied with wrench, without collets
- For collets see chapter "Accessories"

**COLLETS**

**ER (DIN 6499)**

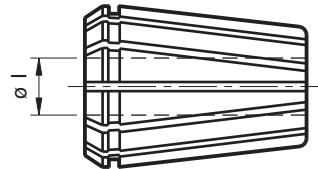
**ER \* - \***

DIN 6499 collet

Size  
11  
16  
20  
25  
32  
40  
50

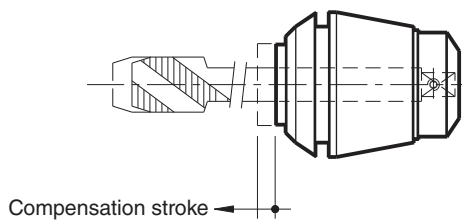
Capacity "I" code

Ex. Diameter Code  
3,5 035  
11,5 115



Collet size	Unified N°	Capacity [mm]	Increment [mm]
11	424E	0,5÷7	0,5
16	426E	0,5÷10	1
20	428E	1÷13	1
25	430E	1÷16	1
32	470E	2÷20	1
40	472E	3÷26	1
50	474E	10÷34	1

**TP Tapping collets (PCM)**



Tapping collets with inside tension compensation. For further informations and ordering code, please contact our Technical Office.



**DIPLOMATIC AUTOMATION S.r.l.**  
20025 LEGNANO (MI) - ITALY  
P.LE BOZZI, 1  
PHONE 0331/472111  
FAX 0331/455161



**DIPLOMATIC**  
AUTOMATION

e-mail: [info@duplomatic.it](mailto:info@duplomatic.it)

come visit Duplomatic homepage:  
[www.duplomaticautomation.com](http://www.duplomaticautomation.com)